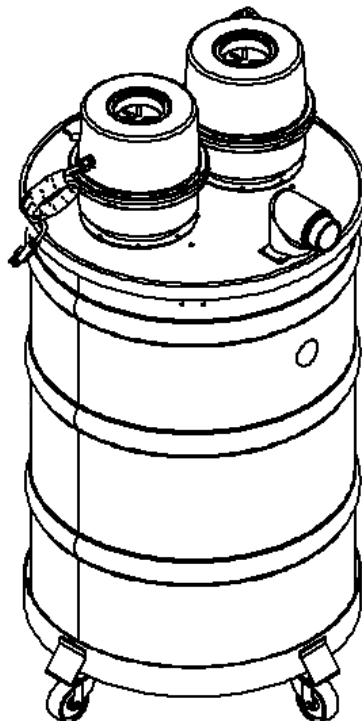


NIKRO
INDUSTRIES, INC.

**55 GALLON
WET/DRY VACUUM**

#DP55DUAL

INSTRUCTION MANUAL



IMPORTANT SAFETY INSTRUCTIONS

When using an electrical appliance, basic precautions should always be followed, including the following:

READ ALL INSTRUCTIONS

BEFORE USING (THIS APPLIANCE)

WARNING – To reduce the risk of fire, electric shock, or injury:

1. Do not leave appliance when plugged in. Unplug from outlet when not in use and before servicing.
2. Do not use outdoors or on wet surfaces
3. Do not allow to be used as a toy. Close attention is necessary when used by or near children.
4. Use only as described in this manual. Use only manufacturer's recommended attachments.
5. Do not use with damaged cord or plug. If appliance is not working as it should, has been dropped, damaged, left outdoors, or dropped into water, return it to a service center.
6. Do not pull or carry by cord, use cord as a handle, close a door on cord, or pull cord around sharp edges or corners. Do not run appliance over cord. Keep cord away from heated surfaces.
7. Do not unplug by pulling on cord. To unplug, grasp the plug, not the cord.
8. Do not handle plug or appliance with wet hands.
9. Do not put any object into openings. Do not use with any opening blocked; keep free of dust, lint, hair, and anything that may reduce air flow.
10. Keep hair, loose clothing, fingers, and all parts of body away from openings and moving parts.
11. Turn off all controls before unplugging.
12. Use extra care when cleaning on stairs.
13. Do not use to pick up flammable or combustible liquids, such as gasoline, or use in areas where they may be present.
14. Connect to a properly grounded outlet only. See Grounding Instructions.
15. Do not pick up anything that is burning or smoking, such as cigarettes, matches, or hot ashes.
16. Do not use without dust bag and/or filters in place.
17. Do not wrap the cord around the dome. Wrapping the cord around the dome will restrict the motor from exhausting properly and will result in overheating and damaging the motor
18. This vacuum cleaner should never be used in explosion-hazardous areas or to pick up combustible or flammable liquids such as gasoline, etc.
19. This vacuum should never be operated without the proper filters installed in the manner described in the following pages of this manual.
20. This machine should never be serviced by anyone other than an authorized technician.
21. This vacuum is for commercial use only.
- 22. Use only original NIKRO replacement parts and attachments.**

OPERATING INSTRUCTIONS

INSPECTION

Thoroughly inspect your machine for any shipping damage. Your machine has already been thoroughly tested at the Nikro Industries manufacturing plant prior to shipping.

ELECTRICAL SPECIFICATION

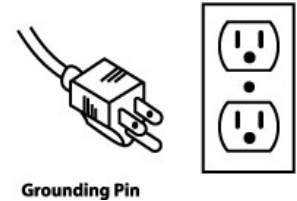
This machine has two power cords and is designed to operate on two separate 15 amp. 115V., 60 hz., AC circuits. A deviance of this could cause serious damage to the unit.

GROUNDING INSTRUCTIONS

This appliance must be grounded. If it should malfunction or breakdown, grounding provides a path of least resistance for electric current to reduce the risk of electric shock. This appliance is equipped with a cord having an equipment-grounding conductor and grounding plug. The plug must be inserted into an appropriate outlet that is properly installed and grounded in accordance with all local codes and ordinances.

WARNING – Improper connection of the equipment-grounding conductor can result in a risk of electric shock. Check with a qualified electrician or service person if you are in doubt as to whether the outlet is properly grounded. Do not modify the plug provided with the appliance – if it will not fit the outlet, have a proper outlet installed by a qualified electrician.

This appliance is for use on a nominal 120-V circuit and has a grounding attachment plug that looks like the plug illustrated. Make sure that the appliance is connected to an outlet having the same configuration as the plug. No adaptor should be used with this appliance.



MAINTENANCE

Lubrication of this motor is not required as it is equipped with sealed bearings.

Always keep the air cooling intake screen free, not allowing any restriction of airflow. Airflow restriction will over heat and damage the motor.

STORAGE

Before storing your Nikro vacuum disconnect from electrical outlet.

The tank should be emptied and cleaned.

The cord should be coiled and stored so as not to create a tripping hazard.

The vacuum should be stored indoors.

PACKAGING

Please do not discard any of the packaging until you have inspected the vacuum and it is operational. Make sure the contents are intact and complete. If there are any missing parts please contact Nikro immediately.

CONTENTS

1 - #DP55DUAL – 55 Gallon Wet/Dry Vacuum (Motor & Lid Assembly, Drum & Dolly)

1 - #PKW200 Tool Kit:

#520332 – 1 ½" x 10' Hose Assembly



#520112 – 3" Round Plastic Dust Brush



#520455 – 11" Crevice Tool



#520649 – 14" Plastic Gulper Tool



#520454 – Double Bend Wand



#862351 – 14" Black Plastic Squeegee Tool

Replacement Filters:

#550015 – Foam Filter Bag (installed on vacuum)

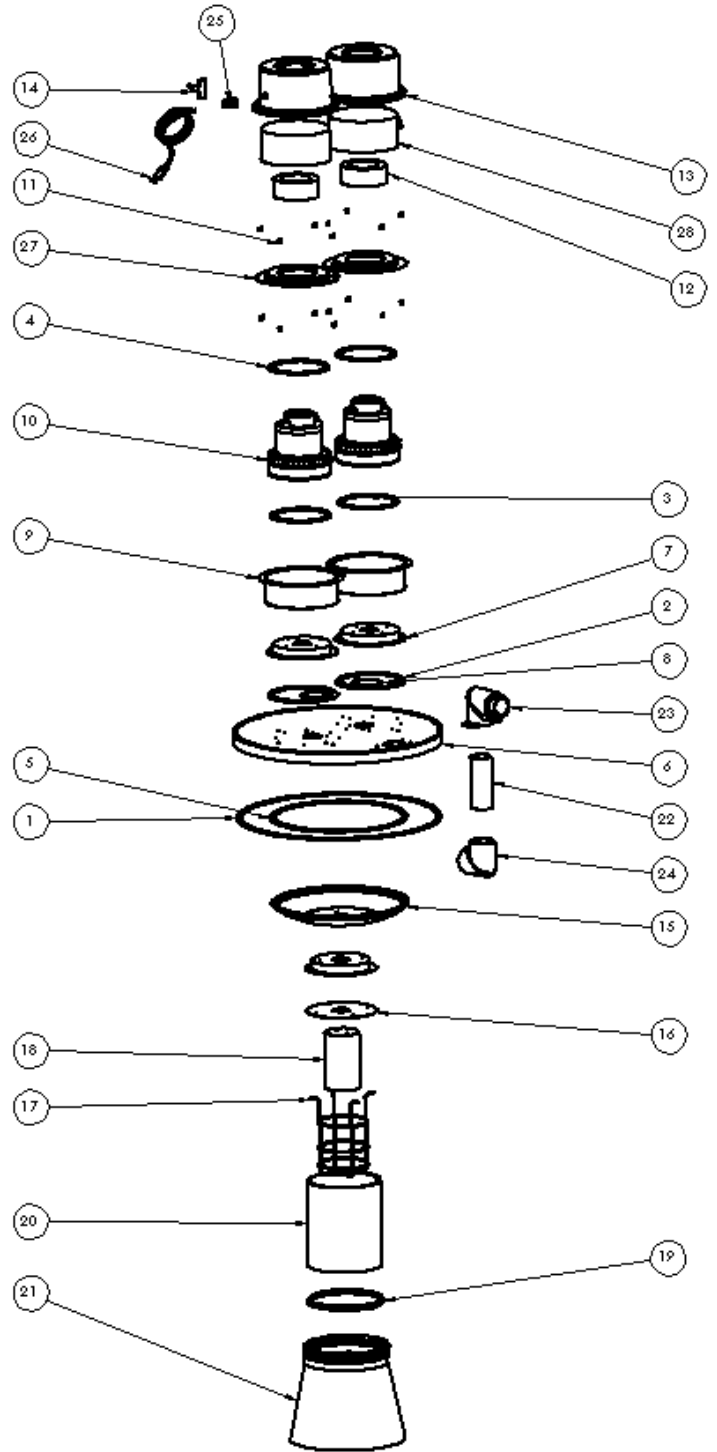
#520210 – Dacron Filter Bag (Installed on Vacuum)

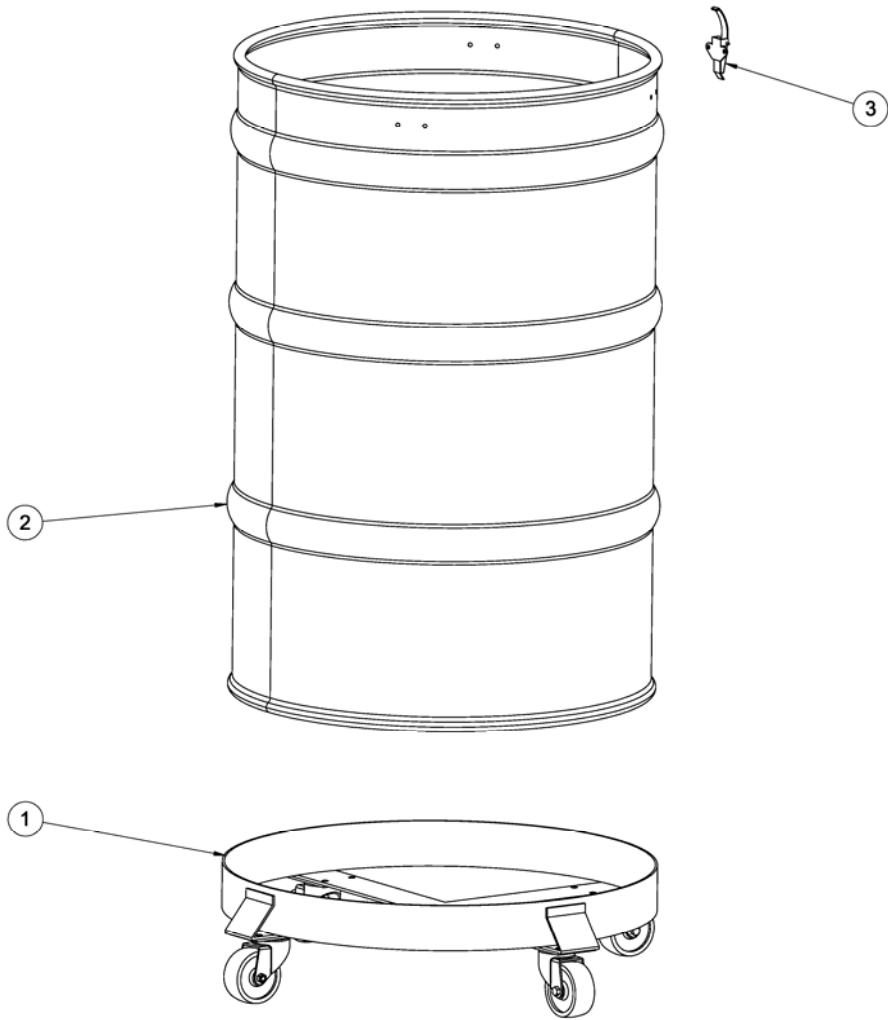


OPERATION INSTRUCTIONS

- 1) READ AND KNOW ALL SAFETY PRECAUTIONS AND INSTRUCTIONS IN THIS MANUAL BEFORE USING THIS EQUIPMENT.
- 2) PLUG IN POWER CORD
- 3) ON/OFF SWITCH IS LOCATED ON THE MOTOR DOME.
- 4) MAKE SURE THE VACUUM LID IS SECURELY LATCHED IN PLACE ON THE VACUUM TANK.
- 5) PLACE METAL HOSE CUFF END OF HOSE INTO THE VACUUM INTAKE AND SECURE IT WITH THE INTAKE KNOB.
- 6) TURN ON THE UNIT.
- 7) PLACE DESIRED VACUUM TOOLS INTO THE PLASTIC HOSE CUFF.
- 8) WHEN PICKING UP DRY MATERIALS, THE BLACK FOAM FILTER BAG AND WHITE DACRON BAG SHOULD BE USED.
- 9) WHEN PICKING UP WET MATERIALS, USE ONLY THE BLACK FOAM FILTER BAG.
- 10) FAILURE TO USE AND MAINTAIN THE BLACK FOAM FILTER BAG AND WHITE DACRON FILTER BAG WILL VOID WARRANTY!

PC NO	PART NO	PART NAME	QTY
1	860582	LID GASKET	1
2	860922	MOUNTING PLATE GASKET	2
3	520327	LOWER MOTOR GASKET	2
4	520029	UPPER MOTOR GASKET	2
5	860947	WATER SHUT OFF PLATE GASKET	1
6	860949	55 GALLON LID	1
7	520009	MOUNTING PLATE	3
8	860807	NON REVERSING FLUTTER VALVE	2
9	540058	MOTOR HOUSING	2
10	861992	MOTOR	2
11	520214	LARGE SPACER	16
12	520016	FOAM RING	2
13	520001	MOTOR DOME	2
14	860697	TOGGLE SWITCH	2
15	520305	WATER SHUT OFF PLATE	1
16	550013	FLOAT CAGE PLATE	1
17	520309	FLOAT CAGE	1
18	860946	FLOAT	1
19	860792	BAG CLAMP	1
20	550015	FOAM FILTER BAG	1
21	520210	DACRON FILTER BAG	1
22	860945	DOWN TUBE	1
23	540048	INTAKE	1
24	860590	DOWN TUBE ELBOW	1
25	520013	STRAIN RELIEF	2
26	520010	POWER CORD	2
27	862160	MOTOR HOLD DOWN	2
28	520004	DOME FELT	2





PC NO	PART NO	PART NAME	QTY
1	520326	DRUM DOLLY	1
2	520308	55 GALLON DRUM	1
3	520019	LID LATCH	4

**FILTER SET-UP PROCEDURE
DRY PICK-UP**



**BLACK FOAM FILTER BAG &
WHITE DACRON FILTER BAG**

**FILTER SET-UP PROCEDURE
WET PICK-UP**



**BLACK FOAM FILTER BAG
(THE ONLY FILTER USED
FOR WET PICK UP)**

**NOTE: FAILURE TO USE AND MAINTAIN THE FOAM AND DACRON FILTERS WILL
VOID WARRANTY.**

WARRANTY

Nikro Wet/Dry Vacuums are warranted for 1 year from the date delivered to the original end user and may not be assigned or transferred.

Parts, which become defective due to faulty workmanship or materials during normal use in this period will be repaired or exchanged at no charge if returned and approved by an authorized Nikro service center. All replaced or repaired parts shall only be warranted for the remainder of the original one year warranty period.

After the expiration of the one year warranty. All warranties on this unit including fitness for a proposed usage or purpose will become void.

The end user shall be responsible for freight charges incurred to deliver warranted product to an approved Nikro service center. Nikro shall be responsible for freight charges incurred in returning unit to customer, but not to exceed the original freight charges to customer.

It shall be wholly Nikro's decision to repair, replace or refund the purchase price of any such defective goods.

This warranty does not apply to normal wear and tear, neglect, misuse, abuse or incorrect installation. If any other replacement parts, filters or attachments are used other than original Nikro parts, this warranty will become void.

Nikro disclaims responsibility for loss of production, profits, goodwill or any other costs that may indirectly occur due to the failure of this product.