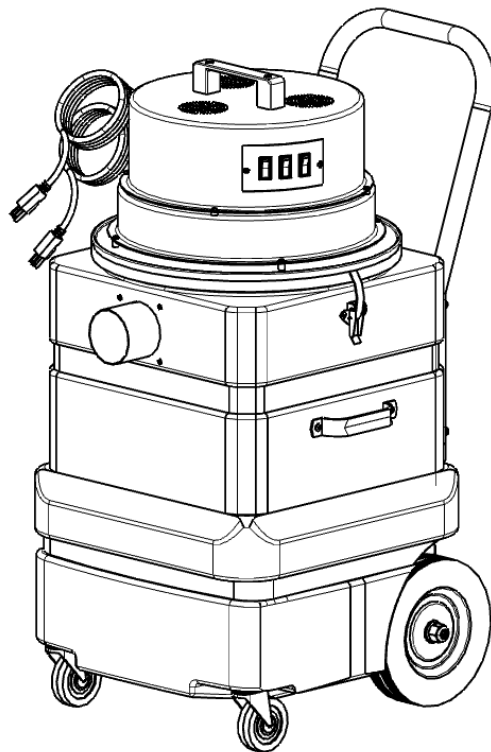


***NIKRO***  
***INDUSTRIES, INC.***

**DRYER VENT / CHIMNEY  
HEPA FILTERED VACUUM**

**MODEL #DV15360**

**INSTRUCTION MANUAL**





All Nikro Industries Inc. products that have rated efficiencies of 99.97% @ 0.3 microns and/or 99.99% @ 0.3 microns, have H.E.P.A. filters that have been individually tested to meet these minimum efficiencies.

Although all the filters have been pre-tested, the possibility of leaks or filter failure due to handling, transportation, punctures, loaded filters, moisture, wear and tear, etc., does exist.

Therefore, when using this equipment in highly sensitive areas or where any release of particles above and beyond the minimum efficiencies would be detrimental and harmful to humans, plants or property; it is strongly recommended that the units be individually tested prior to their use.

This is to assure that they are maintaining the efficiency levels, which they were designed to filter out.

**FAILURE TO DO SO COULD RESULT IN SERIOUS HARM TO HUMAN LIFE, PLANT LIFE AND/OR PROPERTY.**

**“READ AND SAVE THESE INSTRUCTIONS”**

**RISK OF FIRE, ELECTRIC SHOCK, OR PERSONAL INJURY**

1115 N. Ellsworth Ave., Villa Park, IL 60181  
Telephone: 630-530-0558 FAX: 630-530-0740 Toll Free: 800-875-6457

## IMPORTANT SAFETY INSTRUCTIONS

When using an electrical appliance, basic precautions should always be followed, including the following:

**READ ALL INSTRUCTIONS  
BEFORE USING (THIS APPLIANCE)**

**WARNING** – To reduce the risk of fire, electric shock, or injury:

1. Do not leave appliance when plugged in. Unplug from outlet when not in use and before servicing.
2. Do not use outdoors or on wet surfaces
3. Do not allow to be used as a toy. Close attention is necessary when used by or near children.
4. Use only as described in this manual. Use only manufacturer's recommended attachments.
5. Do not use with damaged cord or plug. If appliance is not working as it should, has been dropped, damaged, left outdoors, or dropped into water, return it to a service center.
6. Do not pull or carry by cord, use cord as a handle, close a door on cord, or pull cord around sharp edges or corners. Do not run appliance over cord. Keep cord away from heated surfaces.
7. Do not unplug by pulling on cord. To unplug, grasp the plug, not the cord.
8. Do not handle plug or appliance with wet hands.
9. Do not put any object into openings. Do not use with any opening blocked; keep free of dust, lint, hair, and anything that may reduce air flow.
10. Keep hair, loose clothing, fingers, and all parts of body away from openings and moving parts.
11. Turn off all controls before unplugging.
12. Use extra care when cleaning on stairs.
13. Do not use to pick up flammable or combustible liquids, such as gasoline, or use in areas where they may be present.
14. "Connect to a properly grounded outlet only. See Grounding Instructions."
15. "Do not pick up anything that is burning or smoking, such as cigarettes, matches, or hot ashes."
16. "Do not use without dust bag and/or filters in place."
17. Do not wrap the cord around the dome. Wrapping the cord around the dome will restrict the motor from exhausting properly and will result in overheating and damaging the motor
18. This vacuum cleaner should never be used in explosion-hazardous areas or to pick up combustible or flammable liquids such as gasoline, etc.
19. This vacuum should never be operated without the proper filters installed in the manner described in the following pages of this manual.
20. This machine should never be serviced by anyone other than an authorized technician.
21. This vacuum is for commercial use only.
22. Use only original NIKRO replacement parts and attachments.

## INSPECTION

Thoroughly inspect your machine for any shipping damage. Your machine has already been thoroughly tested at the Nikro Industries manufacturing plant prior to shipping.

## ELECTRICAL SPECIFICATION

This machine is designed to operate on two 115V., 60 hz., AC circuits. A deviance of this could cause serious damage to the unit. The DV15360 is equipped with 3 motors which are controlled by three independent on/off switches (see photo #1). Motor #1 has its own power cord drawing 7 amps while motors 2 & 3 operate on the second power cord drawing 14 amps (see photo #2). For optimal performance run machine with all 3 motors.



Photo #1



Photo #2

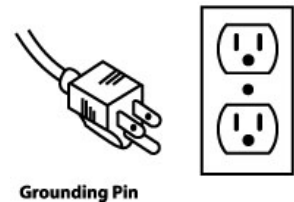
## GROUNDING INSTRUCTIONS

This appliance must be grounded. If it should malfunction or breakdown, grounding provides a path of least resistance for electric current to reduce the risk of electric shock. This appliance is equipped with a cord having an equipment-grounding conductor and grounding plug. The plug must be inserted into an appropriate outlet that is properly installed and grounded in accordance with all local codes and ordinances.

**WARNING** – Improper connection of the equipment-grounding conductor can result in a risk of electric shock. Check with a qualified electrician or service person if you are in doubt as to whether the outlet is properly grounded. Do not modify the plug provided with the appliance – if it will not fit the outlet, have a proper outlet installed by a qualified electrician.

Sketch A Fig. 20

This appliance is for use on a nominal 120-V circuit and has a grounding attachment plug that looks like the plug illustrated in sketch A in Figure 20. Make sure that the appliance is connected to an outlet having the same configuration as the plug. No adaptor should be used with this appliance.



Grounding Pin

## MAINTENANCE

Lubrication of this motor is not required as it is equipped with sealed bearings.

Always keep the air cooling intake screen free, not allowing any restriction of airflow. Airflow restriction will over and damage the motor.

To prolong the life of the HEPA filter, empty, clean, and replace bags and filters regularly as described in the following sections.

## STORAGE

Before storing your Nikro vacuum disconnect from electrical outlet.

The tank should be emptied and cleaned.

The cord should be coiled and stored so as not to create a tripping hazard.

The vacuum should be stored indoors.

## PACKAGING

Please do not discard any of the packaging until you have inspected the vacuum and it is operational.

Make sure the contents are intact and complete. If there are any missing parts please contact Nikro immediately.

## CONTENTS

**1 - #DV15360 – 15 Gallon HEPA Filtered Vacuum**

**1 - #861286 Dryer Vent / Chimney Tool Kit:**

#861280 – 3” x 12 ½’ Hose Assembly

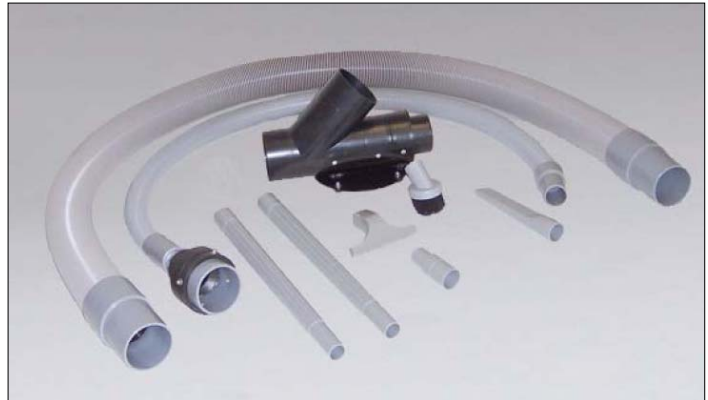
#862128– 1 ½” x 10’ Hose Assembly

2 - #860930 – Plastic Wand

#520112 – 3” Round Dust Brush

#520111 – 9” Crevice Tool

#860933 – 5” Utility Tool



#861281 – Dryer Vent Cleaning “Y” Tool

### **Replacement Filters:**

6 - #520032 – Collection Bags (1 installed in vacuum)

6 - #861278 – Plastic Collection Bags (1 installed in vacuum)

1 - #862009 – Cloth Bag with Ring (Installed in Vacuum)

10 - #520316 – Impaction Filters (1 installed in vacuum)

1 - #520307 – HEPA Filter (Installed in vacuum)

## TANK AND FILTER PREPARATION

1. Take the clear 4-mil poly bags with breather holes and set it into the vacuum tank. There are 1/2" round holes (breather holes) located about 6" from the top of the bag. Take one of these holes and stretch it open to approximately 3" in diameter. Using the 3" hole, pass the tank down tube through the 3" hole and pull the entire bag up and over the rim, so the top of the bag hangs over the outside of the tank. Make sure the bag is set-up so that the vacuumed material coming into the intake and down tube will end up dropping into the plastic bag. **IMPORTANT:** All the breather holes **MUST** be inside the tank. (See Photo 1)



2. Place the paper collection bag (#520032) into the bottom of the tank. Pull the cardboard / rubber collar over the down tube, pulling it just above the rib on the down tube. Then gently pull apart the accordion-like pleats so that the bag is open. (See Photo 2)



3. Place the cloth filter bag (#862009) with ring in tank. (See Photo 3)



4. Make sure the impaction prefilter (#520316P) is in proper placement over the HEPA filter, make sure that it covers the entire surface area of the HEPA filter. (See Photo 4)



5. Place the lid assembly (with the HEPA filter securely bolted in place) onto the tank and snap the latches into place. (See procedure for changing the HEPA filter section of this manual) (See Photo 5)



6. Vacuum is ready for use. Plug in vacuum. On/Off switches are located on the motor dome.

## FILTER OPTIONS AND SUGGESTIONS

### CHIMNEY CLEANING AND FINE DUST PICK-UP:

When using the vacuum for chimneys it is recommended that all filters be in place to prevent premature loss of suction and to extend the life of the HEPA filter. The poly bags can be eliminated when the paper collection bag is being used. However, using the poly bag will make collection bag changes and disposal a cleaner, less messy procedure.



### DRYER VENT, LINT AND LARGE PARTICLE PICK-UP:

When using the vacuum for dryer vents, the paper collection bag may be eliminated, allowing materials to load directly into the 4-mil poly bag. ALL OTHER FILTERS MUST BE IN PLACE. If you choose to eliminate the paper collection bag, you can remove the lower section of the down tube (the rubber reducer and metal tube). This will prevent any clogging that could be caused by lint and larger objects.



## FILTER MAINTENANCE AND REPLACEMENT INSTRUCTIONS

**Warning:** When a loss of vacuum power is detected, the vacuum should be turned off immediately. Continued use of the machine could result in severe damage to the motor and/or HEPA filter. This loss of vacuum power could be caused by one of the following:

- A. The paper collection bag may be full and needs to be replaced.
- B. The tank may be full and needs to be emptied.
- C. The wand, hose, or down tube may be clogged and needs to be cleared.
- D. The impaction prefilter may be clogged and needs to be replaced. (Never try to clean the impaction prefilter, it should be discarded.) See section on changing the impaction prefilter.
- E. The Filter bag with ring may be clogged and needs to be cleaned or replaced.
- F. The HEPA filter may be clogged and needs to be replaced.

To prolong the life of the HEPA filter and motor, the paper collection bag should be changed when it is 1/2 full. The impaction prefilter should be changed at least every other time that the collection bag is changed

## PROCEDURES FOR REMOVING CONTAMINATED FILTERS

### Caution:

When removing contaminated filters or using this machine, you should always wear gloves, clothing and a respirator approved for the particular contaminant that you are working with.

### FILTER REMOVAL PROCEDURES

1. Turn off and unplug machine
2. Carefully lift the lid assembly off the tank. With a damp rag, wipe underside of the lid assembly. Set aside and dispose of rag properly. (Never set the lid assembly down on the HEPA filter).
3. Remove the impaction prefilter. (by sliding it off the end of the HEPA filter). Dispose of contaminated filters properly.
4. Carefully pull the cloth bag with ring from the tank and remove it from the tank. Clean or Dispose of contaminated filters properly.
5. Take the collar of the paper collection bag and carefully slide it down and off the down tube and remove the collection bag from the tank. Dispose of properly.
6. Take a damp rag and wipe down the inside of the tank. Dispose of contaminated rag properly.
7. All hazardous waste must be disposed of properly. Never put contaminated debris in a regular trash container. All debris must be placed in a properly labeled bag or container, and should be removed by a licensed waste hauler. Check with Federal, State, and Local officials for proper handling and disposal of the waste you are handling.

### CONSULT PROPER AUTHORITIES FOR REGULATIONS REGARDING DISPOSAL

#### PROCEDURE FOR CHANGING THE HEPA FILTER (#520307)

1. The precautionary steps described in this manual should be used when changing the HEPA filter.
2. NOTE: You must follow Local and or Federal guidelines when working with contaminated filters.
3. Remove the eight (8) bolts holding the HEPA filter to the filter mounting plate, using a Phillips screwdriver and a 1 1/32" wrench.
4. Carefully remove the HEPA filter from the filter mounting plate, being careful not to create any airborne dust.
5. This filter cannot be cleaned, and should be disposed of in an appropriate manner.
6. Re-install the new HEPA filter securely tightening the eight screws, nuts, lock washers, and flat washers.
7. Replace the impaction filter, on the HEPA filter.





## HOSE AND ATTACHEMENTS / CLEANING TIPS

The #DV15360 vacuum comes complete with 1 1/2" hose, wand, 3" round dust brush, 9" crevice tool and 5" utility tool. These tools will be used for contact vacuuming and general purpose clean up. The vacuum also comes complete with a 3" x 12.5' hose assembly and dryer vent cleaning "Y" tool.

### DRYER VENT CLEANING:

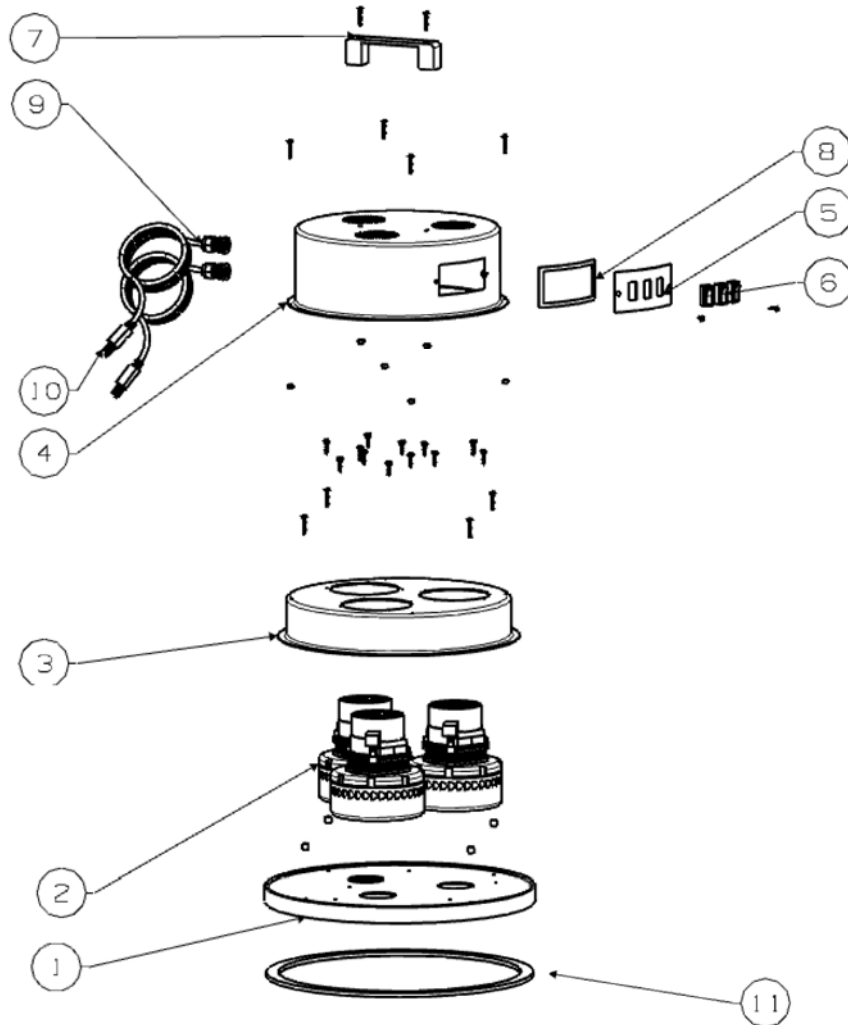
1. To use the "Y" tool for vent cleaning, place the "Y" tool on the ground on its base with rubber feet.
2. Next, attach the 3" hose to the intake of the vacuum and the opposite end of the hose to the 3" port of the "Y" tool.
3. Then take the dryer duct and slide it over the 4" end of the "Y" tool. Turn vacuum on.
4. The third port of the "Y" tool (this port has a plastic cap with slits) is a "feed through" for agitating tools such as brushes, compressed air, etc. Run your tool through this port and feed them through the dryer vent duct. This allows you to agitate and vacuum simultaneously.

### CHIMNEY CLEANING:

When using the vacuum to create a negative pressure in a fireplace during cleaning, connect the 3" hose to the vacuum and place the opposite end of the hose in the far back corner of the fireplace. Cover the opening of fireplace and turn on vacuum. (See Photo 5)

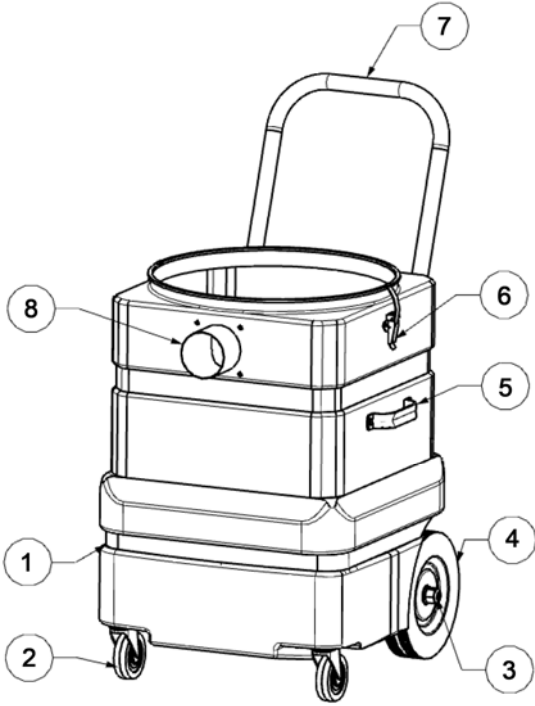


## LID ASSEMBLY

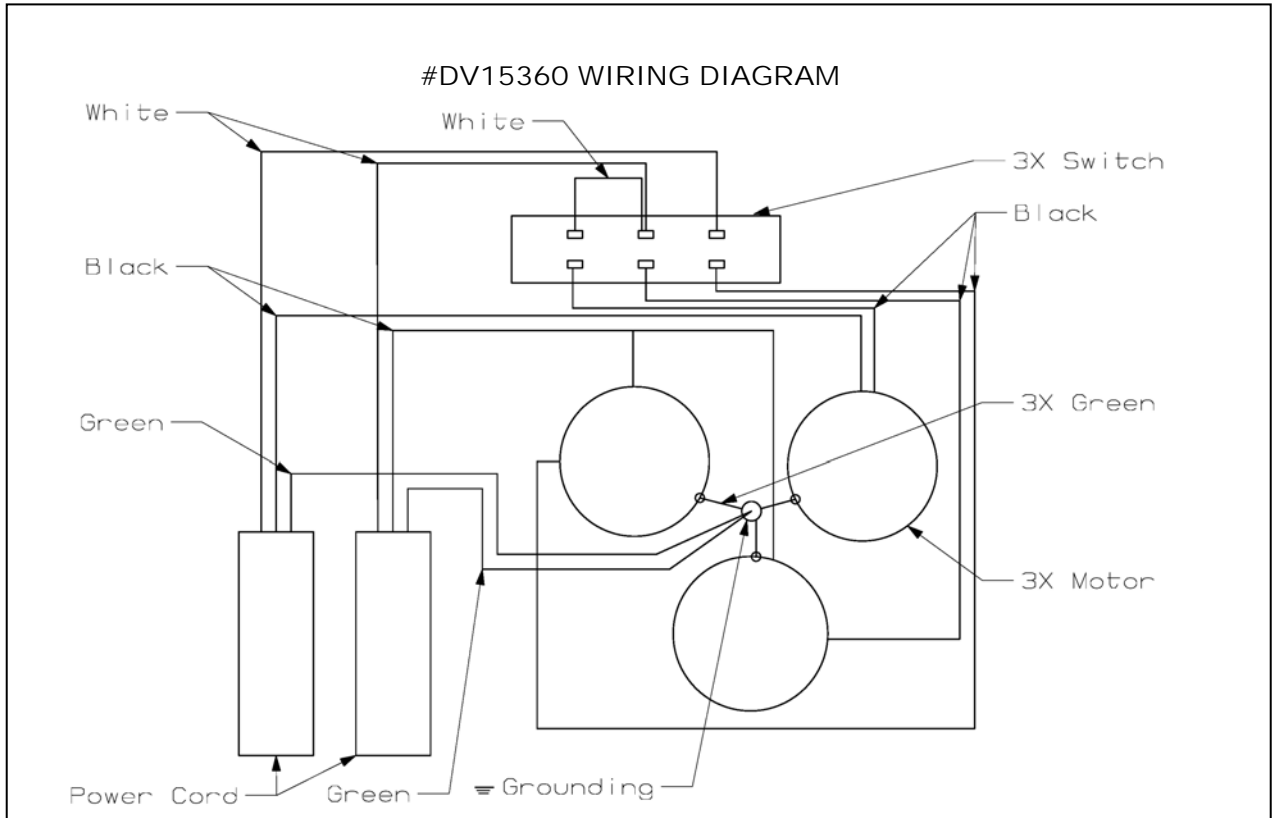


PC NO	PART NO	PART NAME	QTY
1	861122	LID	1
2	520003B	MOTOR	3
3	861124	MOTOR HOUSING	1
4	861123	DOMES	1
5	861203	SWITCH BRACKET	1
6	861290	SWITCH	3
7	861291	LID HANDLE	1
8		SWITCH GASKET	1
9	520015	ELECTRICAL CORD STRAIN RELIEF	2
10	860186	ELECTRICAL CORD	2
11	520018	LID GASKET	1
	861294	MOTOR & LID ASSY	1

# 15 GALLON TANK ASSEMBLY



PC NO	PART NO	PART NAME	QTY
1	860802	TANK	1
2	860804	FRONT CASTER	2
3	860584	AXLE ASSEMBLY	1
4	520227	REAR WHEEL	2
5	860220	SIDE HANDLES	2
6	860803	LID LATCH	2
7	860550	HANDLE	1
8	861292	3" INTAKE	1
Not Shown	861288	DOWN TUBE COUPLER ASSY	



## WARRANTY

Nikro HEPA Vacuums are warranted for 2 years from the date delivered to the original end user and may not be assigned or transferred.

Parts, which become defective due to faulty workmanship or materials during normal use in this period will be repaired or exchanged at no charge if returned and approved by an authorized Nikro service center. All replaced or repaired parts shall only be warranted for the remainder of the original two year warranty period.

After the expiration of the two year warranty. All warranties on this unit including fitness for a proposed usage or purpose will become void.

The end user shall be responsible for freight charges incurred to deliver warranted product to an approved Nikro service center. Nikro shall be responsible for freight charges incurred in returning unit to customer, but not to exceed the original freight charges to customer.

It shall be wholly Nikro's decision to repair, replace or refund the purchase price of any such defective goods.

This warranty does not apply to normal wear and tear, neglect, misuse, abuse or incorrect installation. If any other replacement parts, filters or attachments are used other than original Nikro parts, this warranty will become void.

Nikro disclaims responsibility for loss of production, profits, goodwill or any other costs that may indirectly occur due to the failure of this product.

## H.E.P.A. FILTER STANDARDS AND CERTIFICATION

Nikro H.E.P.A. filtered vacuums are built in accordance with ANSI Z9.2 standards.

All Nikro H.E.P.A. filters are manufactured and individually tested using the MIL-STD 282 D.O.P. test, or the IEST-RP-CC-001.3 test method.

Each filter is tested and certified to have a minimum efficiency of 99.97% @ 0.3 micron particles. All filters are then individually labeled and registered by the manufacturer.

All H.E.P.A. filters used in Nikro equipment meet, and in most cases, exceed the minimum standard of 99.97% efficiency @ 0.3 micron particles, and comply with OSHA and EPA standards for cleaning the air of toxic and nuisance dust such as mold, lead and asbestos.